

# SRTCLLT

## Automotive Chassis Atmosphere Lights Instructions

### 一. Basic Parameters

Product Name: Automotive Chassis Atmosphere Lights

Product Model: LC-KIT5050RGB252/E2

Control Way: Bluetooth APP

Product Size: 49.5\*36\*12mm

Working Voltage: DC12V

Product Power: 12W

Working Environment: -20°C-+45°C

IP Rating: IP65

Color Box Size: L192xW192xH65mm

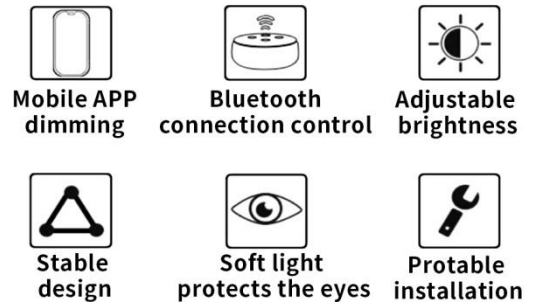
Accessories: Automotive Chassis Atmosphere Lights set/ Dedicated controller

Weight: 650g

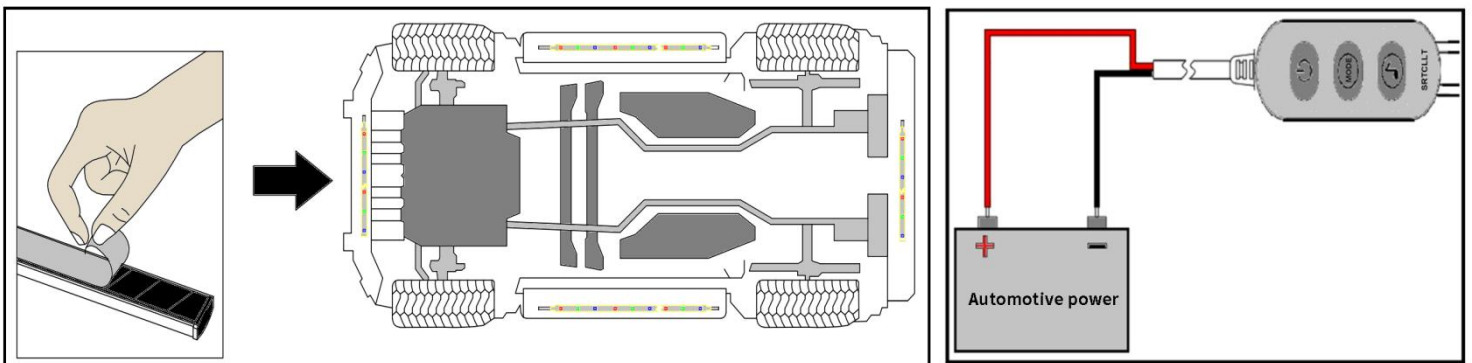


### 二. Product Feature

1. Solid materials, superior quality.
2. IP65 waterproof, outdoor available.
3. Bluetooth APP control, remote sensing distance can reach 15 meters.
4. Rich luminous effect can meet the use of a variety of scenes

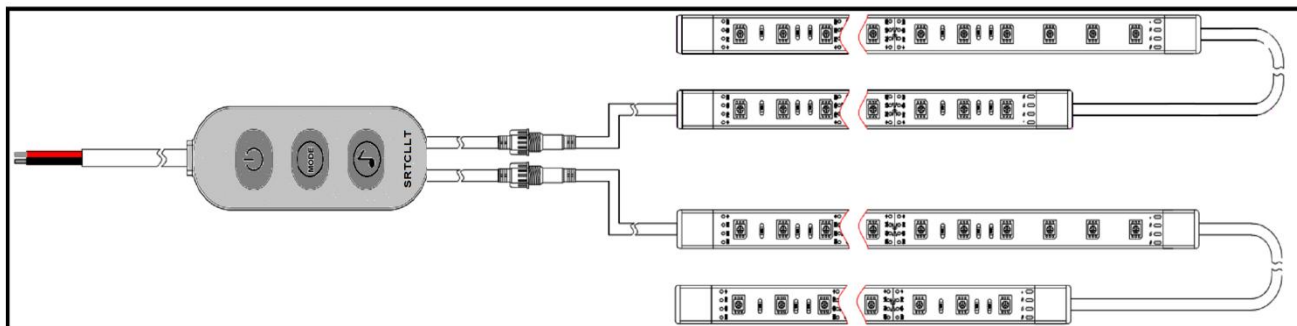


### 三. Installation instructions



Add: 4-5/F Dadong Ming Technology Park, Yuequn Road, Changzhen, Guangming District, Shenzhen, China  
Tel:0755-27350605  
Fax:0755-2345913  
HTTP:www.color-led.com

## 四. Application Connection Diagram



## 五. Scan the QR code to download the APP

